

# SIO-EX-MC-SE-SI11NNNN-xx

2x 0-10V analog inputs

## Introduction

The Sent.io™ DIRECT2CLOUD I/O gateway is perfect for stand-alone IoT monitoring in a variety of applications including building management, oil and gas, water/wastewater and much more.

Sent.io™ has multiple power options to fit any application, including internal battery, external 8-32V DC, and solar. The 0-5V variant is configured with two 0-5V analog inputs via IP67 rated M8 connectors on either side of the device. Sent.io™ has an internal 18V DC power supply for sensors that it switches on during sample and off during sleep to increase battery life. Analog inputs are measured every 5 minutes and stored in non-volatile memory; every 4 hours, all buffered sensor readings are pushed to the cloud. The cloud is notified immediately if an input crosses a user-defined alert threshold, providing real-time notification when problems occurs.

The Sent.io™ IoT gateway is perfect for monitoring applications including tank level, flow rate, metering, water chemistry, temperature, pressure, and much more.

Sent.io™ communicates securely to the cloud using a built in 4G Cat M1 modem so it does not require access to customer networks or support from customer IT personnel. Our proprietary Cat M1-MC™ technology allows Sent.io™ to seamlessly switch between AT&T, T-Mobile, and Verizon, ensuring reliability without the need for separate SIM cards.

## Ordering Information

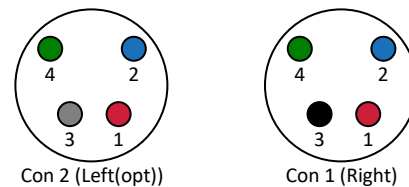
Part Number	Description
SIO-EX-MC-SE-SI11NNNN-xx	Dual 0-10V analog in, Battery, Int Ant
SIO-EX-MC-SE-SI11NNNN-XR	Dual 0-10V analog in, Ext Power, Ext Ant
SIO-BA-MC-SE-SI11NNNN-LR	Dual 0-10V analog in, Battery, Int Ant
SIO-BA-MC-SE-SI11NNNN-XR	Dual 0-10V analog in, Battery, Ext Ant

## Features

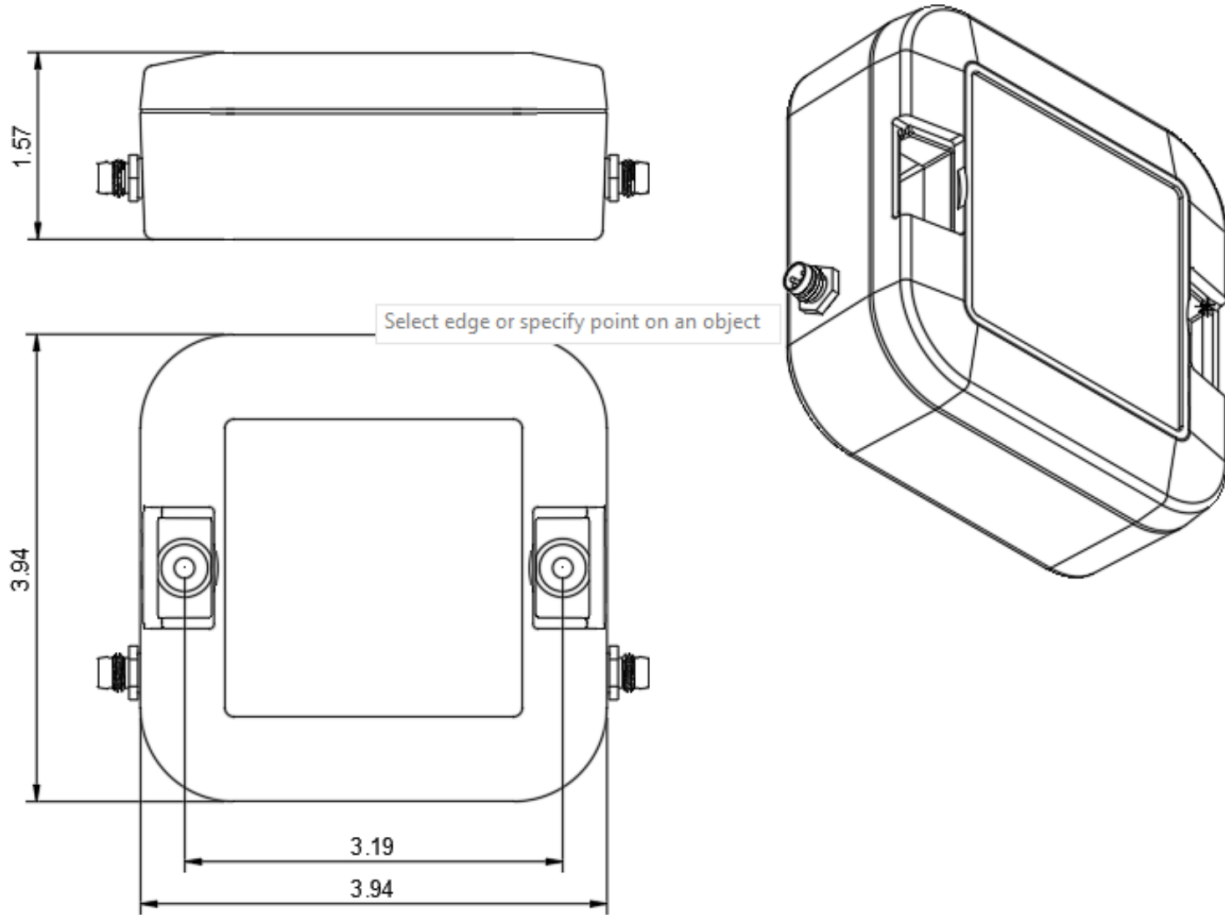
- 2x Analog Input 0-5V
- 18V Switched Sensor Power
- Multiple Power Options—Battery, DC, MicroUPS
- CatM1-MC - Works with Verizon, AT&T, & T-Mobile
- Direct2Cloud air-gapped communications
- IP67 rated outdoor enclosure (DIN Rail, wall/pole mount)
- Simple to install, easy to use
- 24/7 remote monitoring /control from anywhere

## Connector Wiring

This Sent.io™ is configured with two (2) external channels:



Connector	Pin	Function	Description
2	1	Vout	Sensor Supply Voltage
2	2	Channel 1	0-5 VDC Analog Input
2	3	Channel 2	0-5 VDC Analog Input
2	4	Ground	Circuit ground
1	1	Vin	8-32 VDC
1	2	Channel 1	Power Detection-active low
1	3	Not used	Not used
1	4	Ground	Circuit ground



\* Dimensions are in inches

## Product Attributes

Type	Description
Operating Temperature Range	-40 - 185°F
Analog Input Current Range	0-10 VDC
Power Supply (External DC Power Option)	8-32 VDC
Power Supply Current--Average	50mA (typical)
Power Supply Current--Peak <sup>2</sup>	1A (typical)
Battery Backup (MicroUPS Power Option) <sup>1</sup>	48Hours (typical)
Battery Life <sup>1</sup>	2-10 Years (typical 8 years)
Battery Backup (MicroUPS Power Option) <sup>1</sup>	48Hours (typical)

1) Depends on installed sensors and operating environment

2) Peak current at 3.6V